

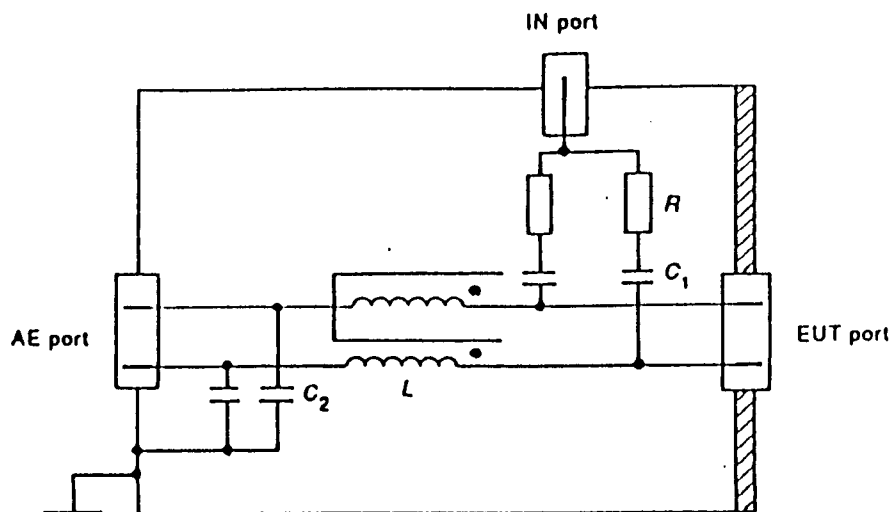


Coupling-Decoupling Network

C D N L-801 AF 2

IEC 61000-4-6

| | |
|----------------------|------------------|
| AE Port | 4mm Banana |
| EUT Port | 4mm Banana |
| Leads | twisted pair |
| Max. Voltage | 100 V |
| Max. Current | 0,25 A |
| IN Port | BNC 50 Ohm |
| Frequency range | 0,15 ... 230 MHz |
| HF Power Dissipation | 4 Watt |



SCHWARZBECK MESS - ELEKTRONIK

Tel.: +49(0)6228/1001 www.schwarzbeck.de office@schwarzbeck.de

L 801 AF 2



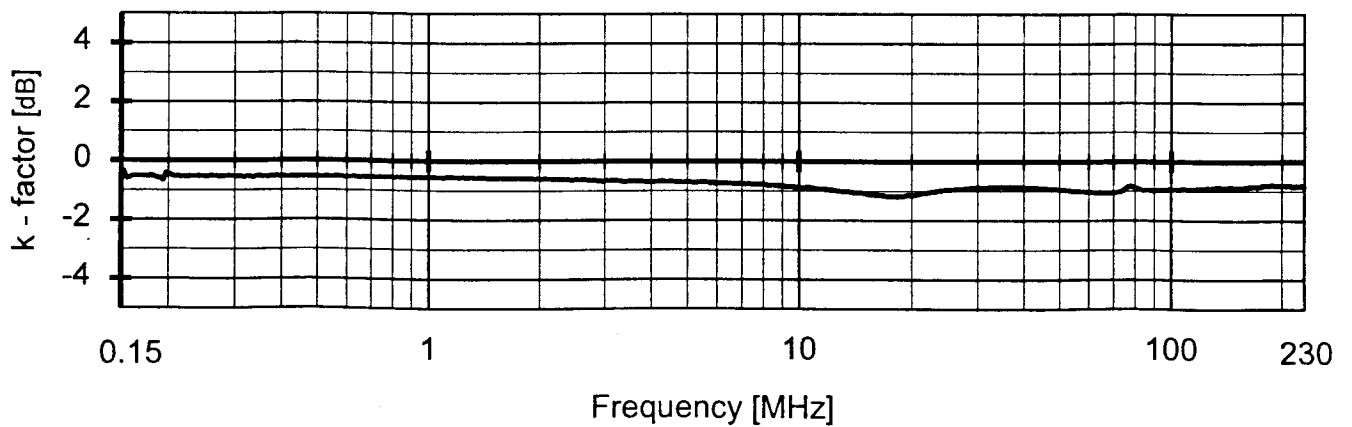
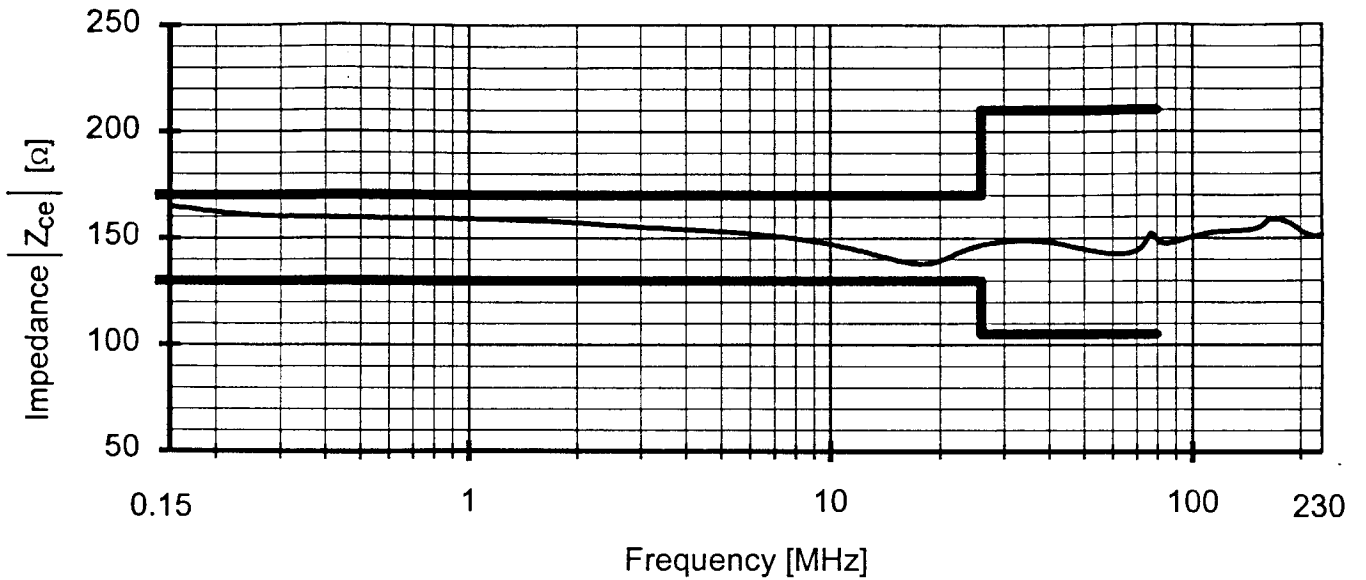
CDN, Daten 2 Leiter, 4 mm Laborbuchsen



CDN Data 2 leads, 4 mm female connectors

**CDN Impedance and K-factor
in the frequency range 150 kHz - 230 MHz
in a test setup according to IEC 61000-4-6**

CDN Type AF2



Equipment used:

Network Analyzer Typ ZVR
50 Ω to 150 Ω Adaptor
50 Ω to 150 Ω Adaptor

Inv. Nr. 4110
Inv. Nr. 4159
Inv. Nr. 4160

Location:

Reference for K-factor
Measurement Impedance
Measurement K-factor

EB15

Date and time:
2002.04.26 11:14
2002.08.16 08:58
2002.08.16 09:11