



Lüthi

**Elektronik –
Feinmechanik**

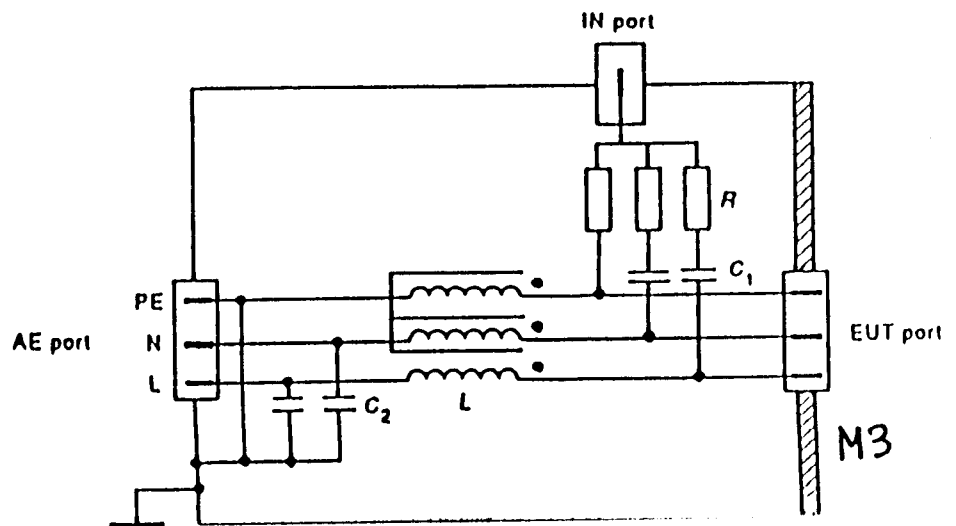


Coupling-Decoupling Network

C D N L-801 M 2/M3

IEC 61000-4-6

AE Port	IEC320/C14
EUT Port	4mm Banana
Leads	L+N+PE (M3) or switchable L+N (M2)
Mains	240 V
Max. Current	16 A
IN Port	BNC 50 Ohm
Frequency range	0,15 ... 230 MHz
HF Power Dissipation	6 Watt



SCHWARZBECK MESS - ELEKTRONIK

Tel.: +49(0)6228/1001 www.schwarzbeck.de office@schwarzbeck.de

L 801 M2 / M3



CDN, Netz 3 Leiter, umschaltbar, 4 mm Laborbuchsen

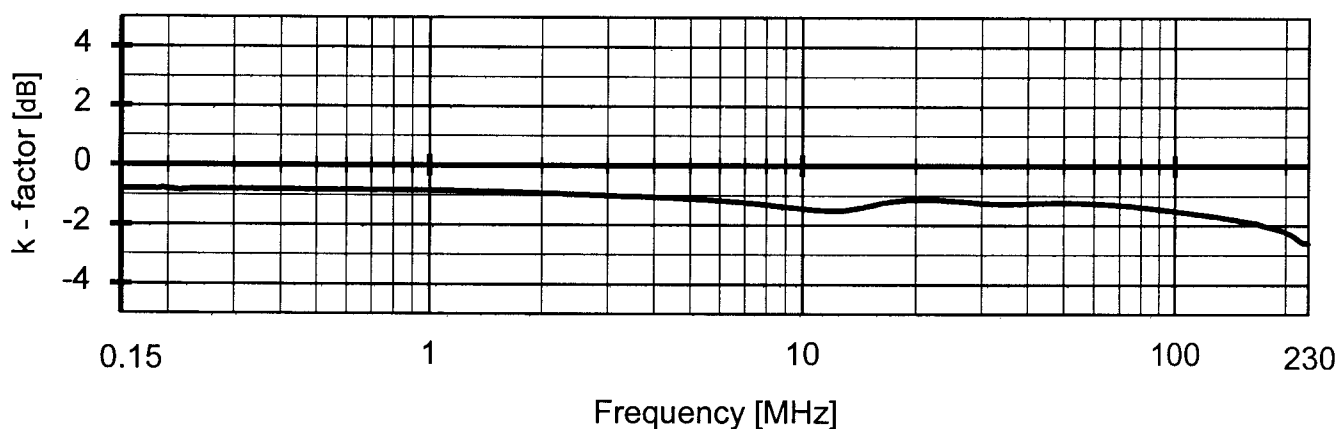
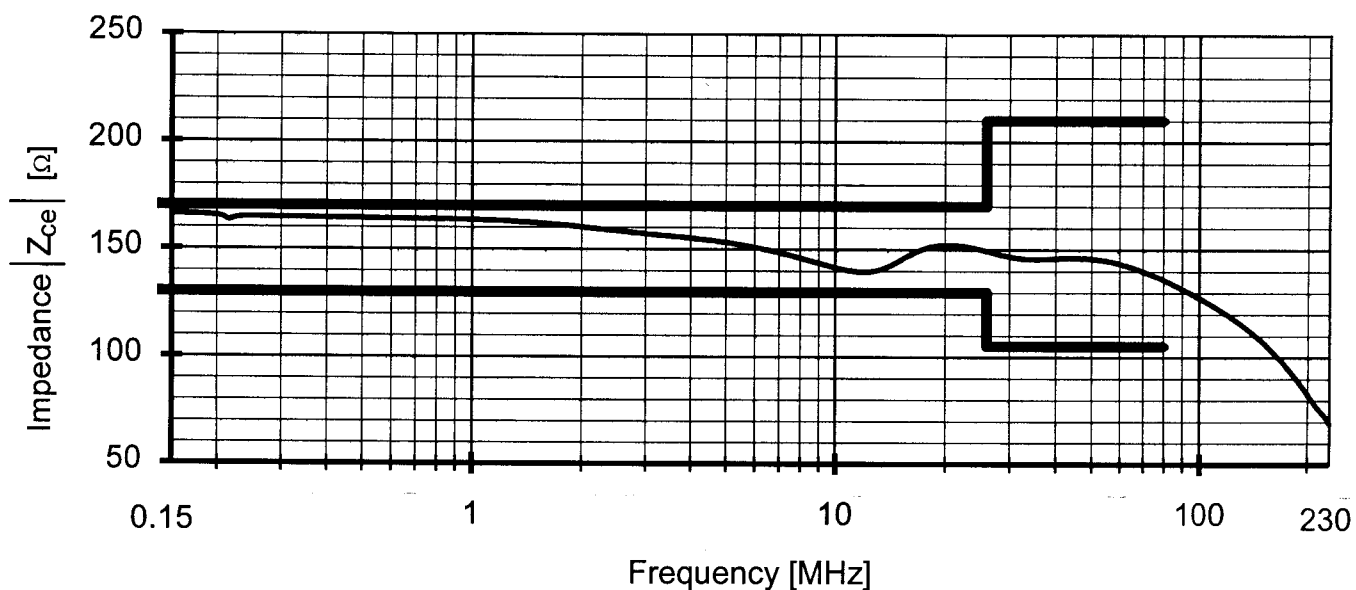


CDN Mains 3 leads, switchable, 4 mm female connectors

**CDN Impedance and K-factor
in the frequency range 150 kHz - 230 MHz
in a test setup according to IEC 61000-4-6**

Lüthi Elektronik-Feinmechanik AG
CH 4402 Frenkendorf

CDN L-801 M2/M3
Ser. Nr.: 2087
(measured with switch position M3)



Equipment used:

Network Analyzer Typ ZVR Inv. Nr. 4110
50 Ω to 150 Ω Adaptor Inv. Nr. 4159
50 Ω to 150 Ω Adaptor Inv. Nr. 4160

Location:

Measurement Impedance
Reference for K-factor

EB15
Date and time:
2004.10.21 08:48
2004.10.21 08:43