



Lüthi

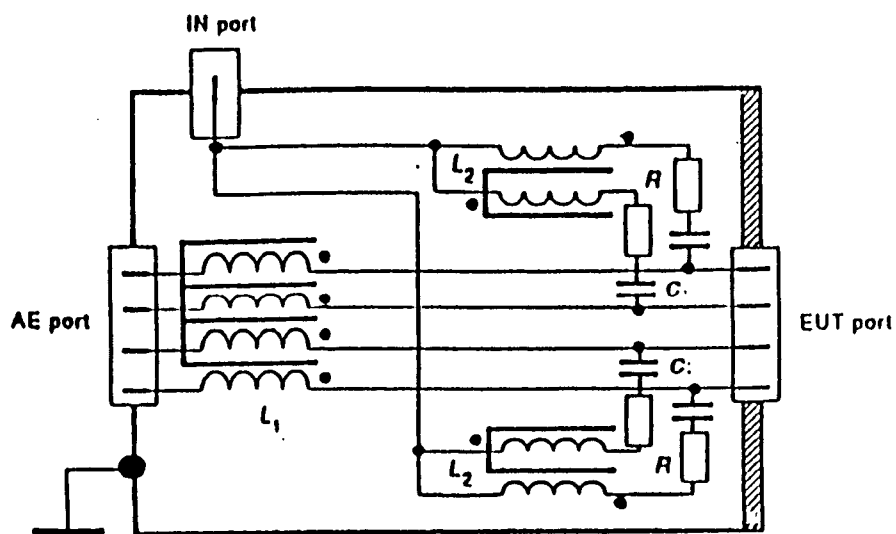
**Elektronik –
Feinmechanik**



Coupling-Decoupling Network C D N L-801 T 4

IEC 61000-4-6

AE Port	4mm Banana
EUT Port	4mm Banana
Leads	2 unscreened balanced pairs
Max. Voltage	100 V
Max. Current	0,25 A
IN Port	BNC 50 Ohm Connector
Frequency range	0,15 ... 230 MHz
HF Power Dissipation	4 Watt



SCHWARZBECK MESS - ELEKTRONIK

Tel.: +49(0)6228/1001 www.schwarzbeck.de office@schwarzbeck.de

L 801 T4



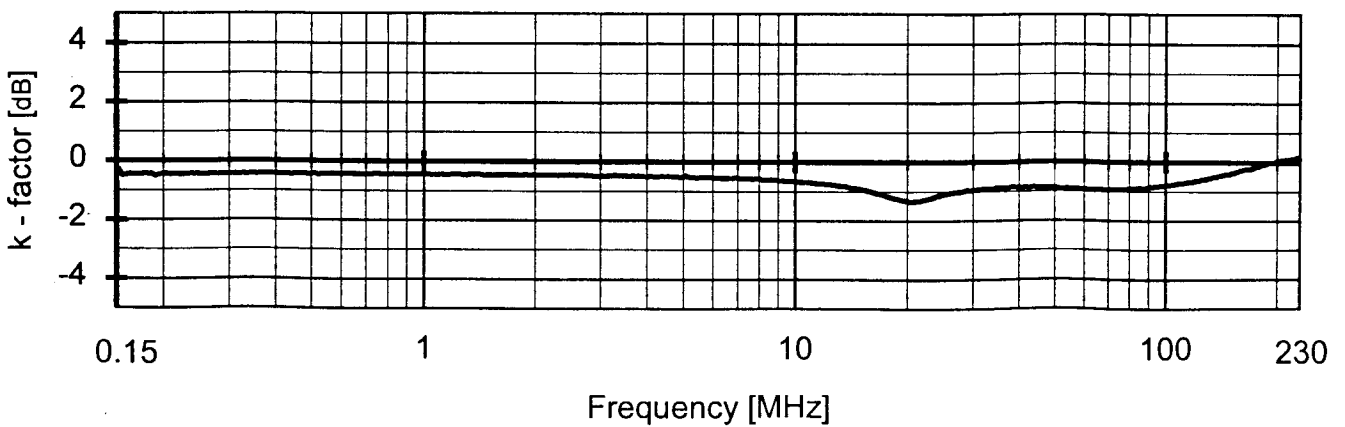
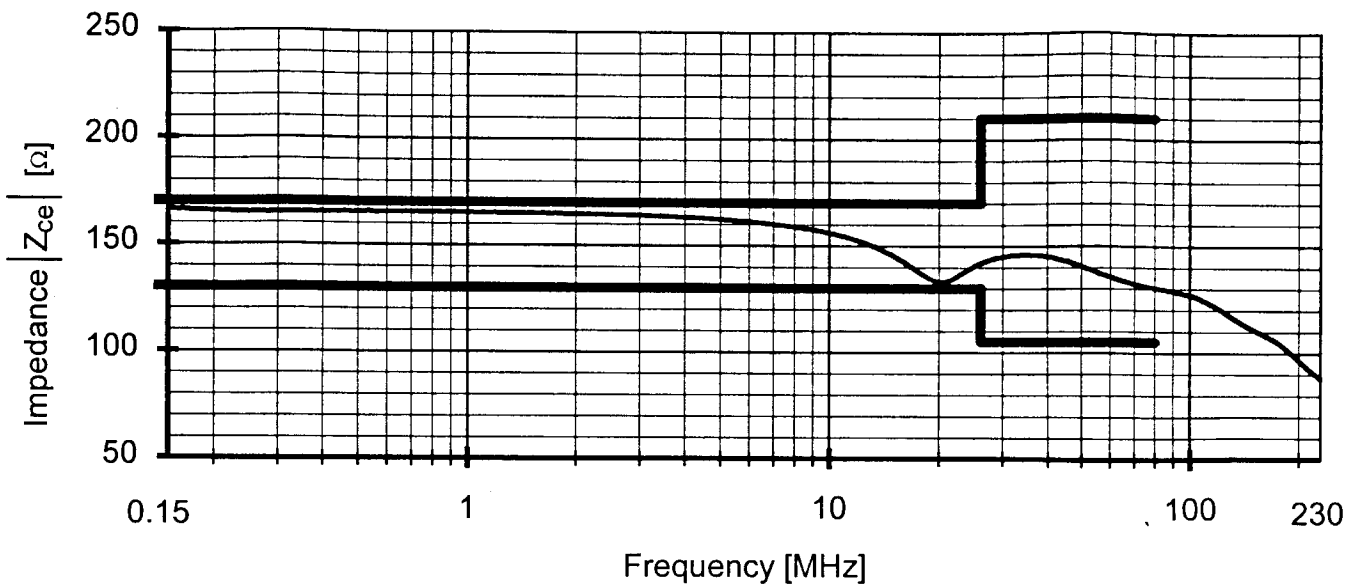
CDN, Erdsymmetrische Leitung, 4 mm Laborbuchsen



CDN Balanced Lines, 4 mm female connectors

**CDN Impedance and K-factor
in the frequency range 150 kHz - 230 MHz
in a test setup according to IEC 61000-4-6**

CDN Type T4



Equipment used:

Network Analyzer Typ ZVR Inv. Nr. 4110
 50 Ω to 150 Ω Adaptor Inv. Nr. 4159
 50 Ω to 150 Ω Adaptor Inv. Nr. 4160

Location:

Reference for K-factor
 Measurement Impedance
 Measurement K-factor

EB15

Date and time:
 2002.04.26 11:14
 2002.08.16 09:02
 2002.08.16 09:13